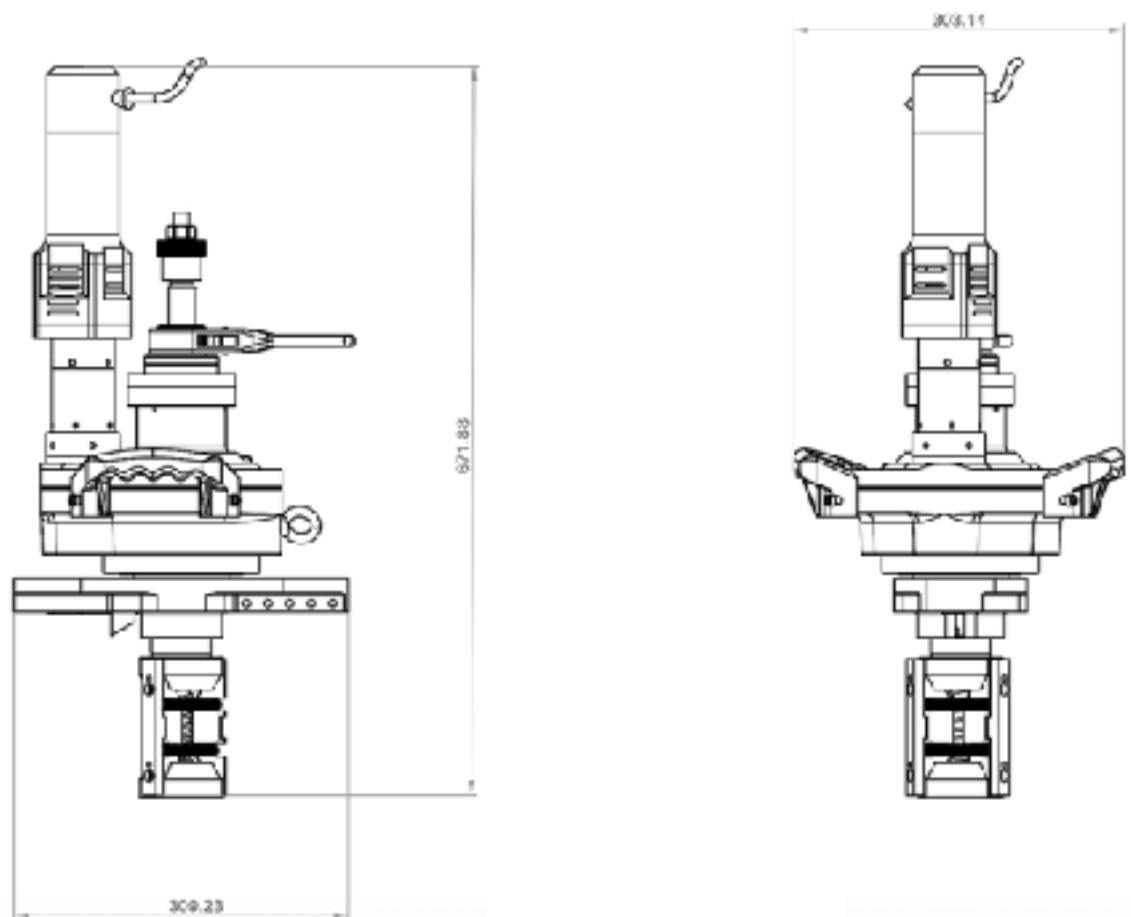


Stinger 240E - Technical sheet

Dimensions - List of compensation blocks

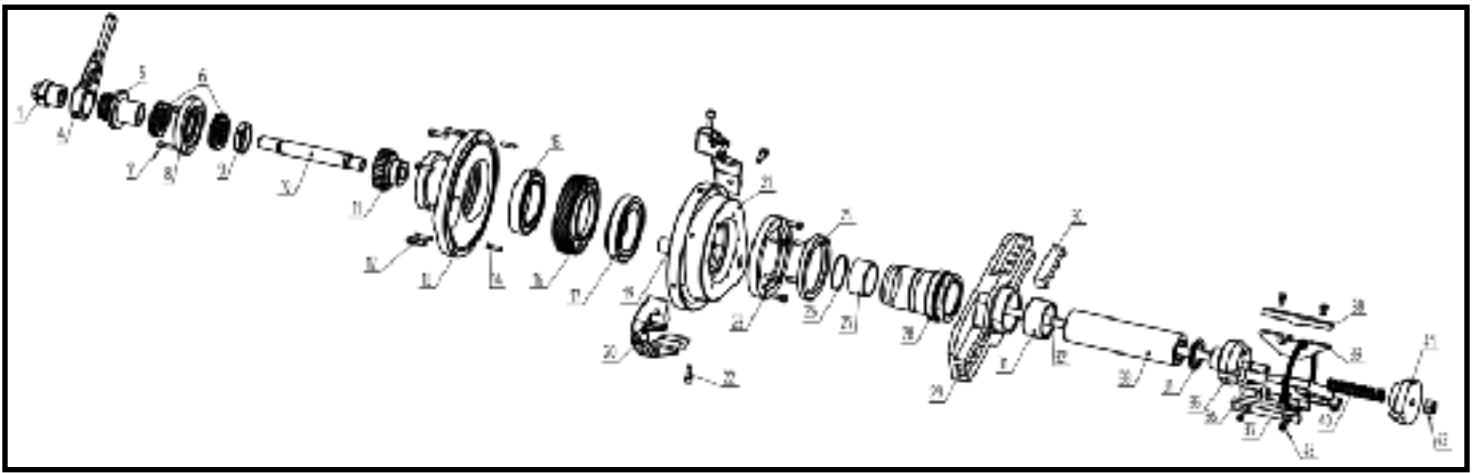
Exploded Drawing - List of Spare Parts

Model	Working range ID - OD:	Maximal Wall Thickness	Tool feeding	Power	Weight
Stinger 159E	80-240mm (OD max 273mm) 3.14" - 9.44" (OD max 10.74")	20mm	40mm	2000W	35 kg (77 lb)



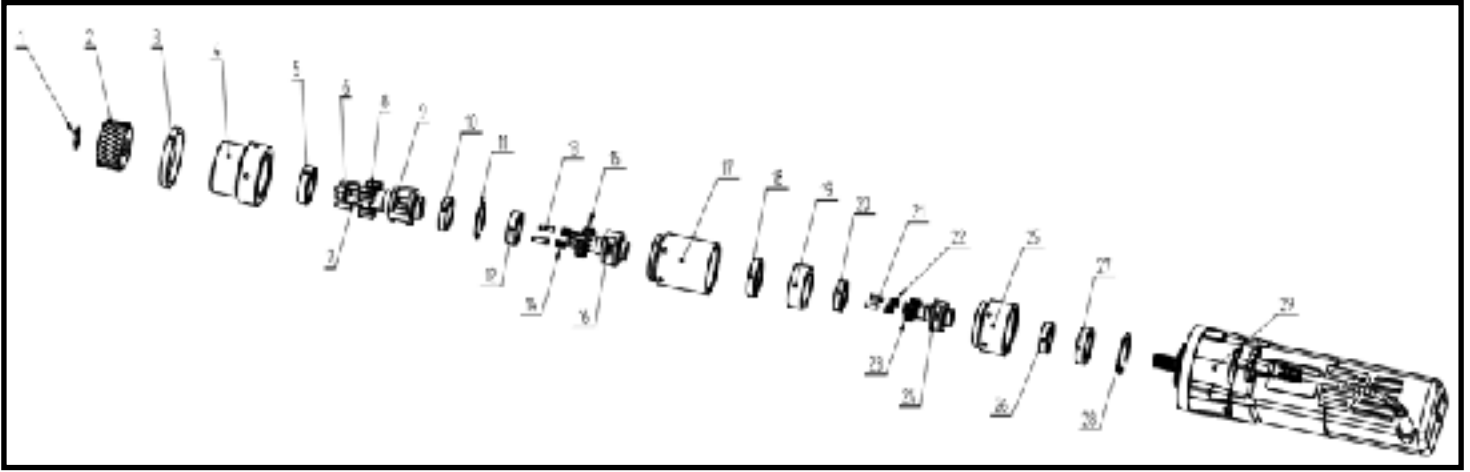
Compensation blocks - Stinger 240E

Inside diameter	Block
ø80mm - 100mm (3.14" - 3.93")	No block
ø100mm - 120mm (3.93" - 4.72")	# 01.
ø120mm - 140mm (4.72" - 5.51")	# 02.
ø140mm - 160mm (5.51" - 6.29")	# 01. + # 02.
ø160mm - 180mm (6.29" - 7.08")	# 03.
ø180mm - 200mm (7.08" - 7.87")	# 01. + # 03.
ø200mm - 220mm (7.87" - 8.66")	# 02. + # 03.
ø220mm - 240mm (8.66" - 9.44")	# 01. + # 02. + # 03.



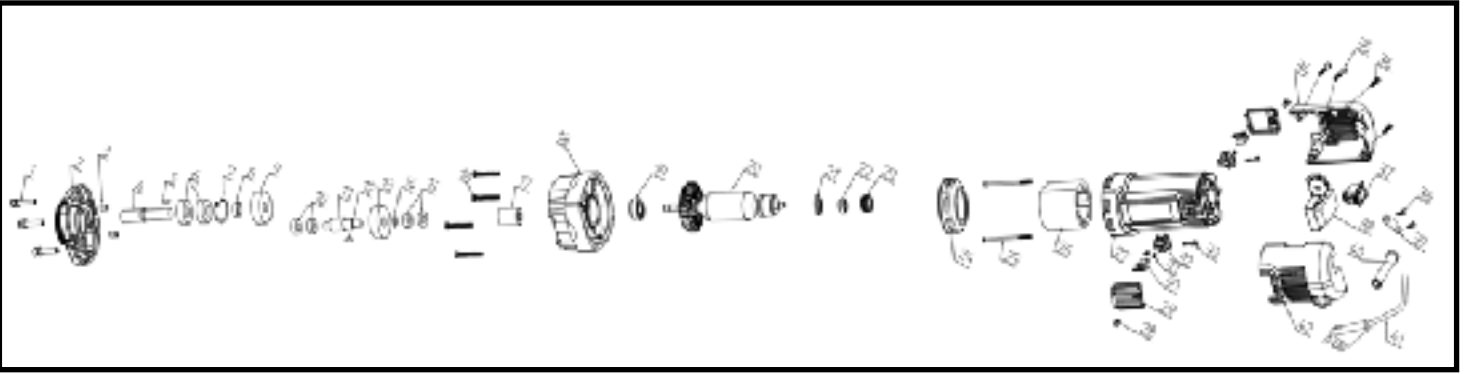
Stinger 240E - main body (01)

Number	Pos	Part Name	Pcs	Number	Pos	Part Name	Pcs
30015.01.01	1	Expanding Nut	1	30015.01.24	24	Screw	6
30015.01.02	2	Washer	1	30015.01.25	25	Threaded Sleeve	1
30015.01.03	3	Washer	1	30015.01.26	26	Washer	1
30015.01.04	4	Ratchet Wrench	1	30015.01.27	27	Bearing	1
30015.01.05	5	Feed Screw	1	30015.01.28	28	Spindle Sleeve	1
30015.01.06	6	Bearing	2	30015.01.29	29	Tool Holder	1
30015.01.07	7	Screw	3	30015.01.30	30	Insert Clip	2
30015.01.08	8	Top Cover	1	30015.01.31	31	Copper Sleeve	1
30015.01.09	9	Cap	1	30015.01.32	32	Pull Rod	1
30015.01.10	10	Threaded Sleeve	1	30015.01.33	33	Spindle	1
30015.01.11	11	Gear	1	30015.01.34	34	Gasket	1
30015.01.12	12	Screw	7	30015.01.35	35	Upper Expansion Plate	1
30015.01.13	13	Cover	1	30015.01.36	36	Pin	2
30015.01.14	14	Pin	2	30015.01.37	37	Spring	2
30015.01.15	15	Bearing	1	30015.01.38	38	Expanding Block #1	3
30015.01.16	16	Gear	1	30015.01.39	38	Expanding Block #2	3
30015.01.17	17	Bearing	1	30015.01.40	38	Expanding Block #3	3
30015.01.18	18	Screw	1	30015.01.39	39	Wedge	3
30015.01.19	19	Bearing	1	30015.01.40	40	Spring	1
30015.01.20	20	Handle	2	30015.01.41	41	Lower Expansion Plate	1
30015.01.21	21	Screw	4	30015.01.42	42	Screw	1
30015.01.22	22	Bottom Cover	1	30015.01.43	43	Screw M6x12 (block #1)	6
30015.01.23	23	Bottom Cover	1	30015.01.44	43	Screw M6x20 (block #2)	6
				30015.01.45	43	Screw M6x25 (block #3)	6



Stinger 240E - Power unit (02)

Number	Pos	Part Name	Pcs	Number	Pos	Part Name	Pcs
30015.02.01	1	Washer	1	30015.02.16	16	Gear	2
30015.02.02	2	Gear	1	30015.02.17	17	Planetary Carrier	1
30015.02.03	3	Gasket	1	30015.02.18	18	Bearing	1
30015.02.04	4	Gear Ring	1	30015.02.19	19	Gear Ring	1
30015.02.05	5	Bearing	1	30015.02.20	20	Bearing	1
30015.02.06	6	Pin	3	30015.02.21	21	Washer	1
30015.02.07	7	Needle Roller	39	30015.02.22	22	Pin	2
30015.02.08	8	Gear	3	30015.02.23	23	Needle Roller	26
30015.02.09	9	Pin	2	30015.02.24	24	Gear	2
30015.02.10	10	Planetary Carrier	1	30015.02.25	25	Planetary Carrier	1
30015.02.11	11	Bearing	1	30015.02.26	26	Bearing	1
30015.02.12	12	Bushing	1	30015.02.27	27	Bushing	1
30015.02.13	13	Bearing	1	30015.02.28	28	Gear Ring	1
30015.02.14	14	Pin	2	30015.02.29	29	Motor	1
30015.02.15	15	Needle Roller	26				



Stinger 240E - Motor (03)

Number	Pos	Part Name	Pcs	Number	Pos	Part Name	Pcs
30016.03.01	1	Screw	3	30016.03.22	22	Bearing	1
30016.03.02	2	Bearing housing	1	30016.03.23	23	Bearing sleeve	1
30016.03.03	3	Pin	2	30016.03.24	24	Blow deflector	1
30016.03.04	4	Output gear shaft	1	30016.03.25	25	Screw	2
30016.03.05	5	Semi-circular key	1	30016.03.26	26	Stator	1
30016.03.06	6	Bearing	2	30016.03.27	27	Motor Case	1
30016.03.07	7	Gasket	1	30016.03.28	28	Screw	2
30016.03.08	8	sleeve	1	30016.03.29	29	Carbon brush cover	2
30016.03.09	9	Output gear	1	30016.03.30	30	Carbon Brush	2
30016.03.10	10	Bearing	2	30016.03.31	31	Screw	4
30016.03.11	11	Spiral bevel shaft	1	30016.03.32	32	Carbon Brush holder	2
30016.03.12	12	Semi-circular key	1	30016.03.33	33	Spring	2
30016.03.13	13	Helical gear	1	30016.03.34	34	Right rear cover	1
30016.03.14	14	Gasket	1	30016.03.35	35	Screw	2
30016.03.15	15	Bearing	2	30016.03.36	36	Screw	4
30016.03.16	16	Screw	4	30016.03.37	37	Switch	1
30016.03.17	17	Gear	1	30016.03.38	38	Speed switch	1
30016.03.18	18	Reducer body	1	30016.03.39	39	wire ramp	1
30016.03.19	19	Bearing	1	30016.03.40	40	Sheath	1
30016.03.20	20	Armature	1	30016.03.41	41	Wire	1
30016.03.21	21	Gasket	1	30016.03.42	42	Left rear cover	1